



# CASH A31VR

## INSTALLATION INSTRUCTIONS

Before installation these instructions must be fully read and understood

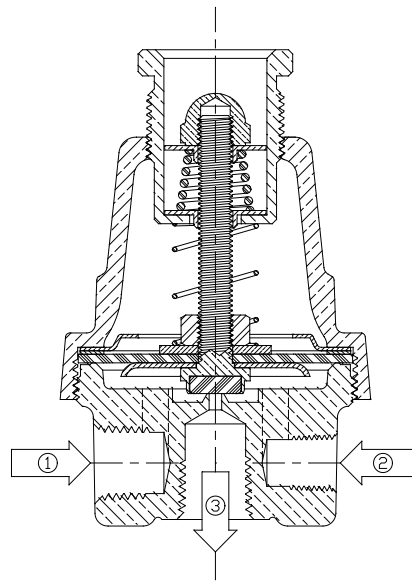
### INSTALLATION

1. Take care to keep dirt, chips, pipe dope or Teflon Tape shreds out of valve port connections when assembling to fittings or piping.
2. Refer to Diagram:  
Port 3 – Connect to Vacuum source  
Port 1 and 2 – Connect either to process for regulated vacuum. Port 1 is 1/4" NPT and Port 2 is 1/8" NPT. Whichever port is not connected to the regulated vacuum process, may be used for a gauge connection or it should be plugged.

### ADJUSTING VACUUM

Turn Adjusting screw counter clockwise to increase vacuum setting (i.e. – change from 5" Hg Vac to 10" Hg Vac.). To reduce vacuum setting, turn adjusting screw clockwise (i.e. – change from 10" Hg Vac to 5" Hg. Vac.).

FIGURE 1



Neither Emerson, Emerson Automation Solutions, nor any of their affiliated entities assumes responsibility for the selection, use or maintenance of any product. Responsibility for proper selection, use, and maintenance of any product remains solely with the purchaser and end user.

Cash is a mark owned by one of the companies in the Emerson Automation Solutions business unit of Emerson Electric Co. Emerson Automation Solutions, Emerson and the Emerson logo are trademarks and service marks of Emerson Electric Co. All other marks are the property of their respective owners.

The contents of this publication are presented for informational purposes only, and while every effort has been made to ensure their accuracy, they are not to be construed as warranties or guarantees, express or implied, regarding the products or services described herein or their use or applicability. All sales are governed by our terms and conditions, which are available upon request. We reserve the right to modify or improve the designs or specifications of such products at any time without notice.

[Emerson.com/FinalControl](http://Emerson.com/FinalControl)